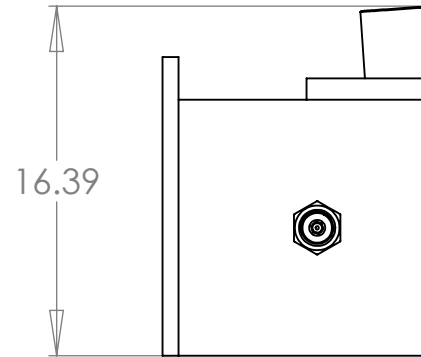
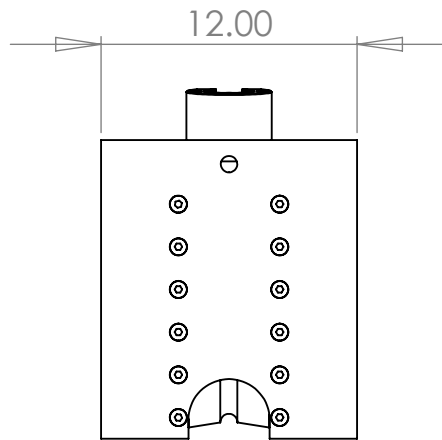
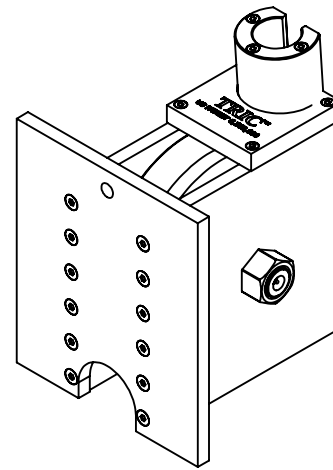
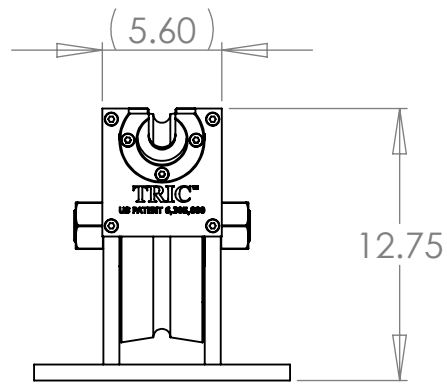


NOTE:

FASTEN ALL BOLTS WITH MOLYBDENUM-BASED ANTI-SEIZE GREASE (#TT-ACCR-ASG)

ITEM NO.	PART NUMBER	DESCRIPTION	QTY.
1	TT-PB10-FRNT	10-3/4" Pulley Base Front Plate	1
2	TT-PB10-PLLY	10-3/4" Pulley Base Pulley Wheel	1
3	TT-PB10-SIDE	10-3/4" Pulley Base Side Plate	2
4	TT-PB10-SHFT	10-3/4" Pulley Base Shaft	1
5	TT-PB10-BRNG	10-3/4" Pulley Base Pulley Sleeve	1
6	TT-PB10-TOPP	10-3/4" Pulley Base Top Plate	1
7	TT-PB00-NULA	Aluminum Annulus	1
8	TT-FSNR-LAN	1 1/2-12 Hex Nut	2
9	TT-FSNR-DA1250F	10" Pulley Front Plate Screw	12
10	TT-FSNR-DA1250C	10" Pulley Top Plate Bolt	4
11	TT-FSNR-DA4000C	Annulus Bolt	3
12	TT-HFIT-ZERK	Zerk Grease Fitting	1

	NAME	DATE	TRIC Tools, Inc.										
DRAWN	RMD	5/20/10											
CHECKED			TITLE: 10-3/4" Pulley Base Assembly										
ENG APPR.													
MFG APPR.			<table border="1" style="width: 100%; border-collapse: collapse;"> <tr> <td style="width: 20%;">SIZE</td> <td style="width: 60%;">DWG. NO.</td> <td style="width: 20%;">REV</td> </tr> <tr> <td style="text-align: center; font-size: 2em;">A</td> <td style="text-align: center; font-size: 1.5em;">TTA-PB10-ASMB</td> <td style="text-align: center; font-size: 2em;">C</td> </tr> <tr> <td>SCALE: 1:9</td> <td>WEIGHT: 65 lbs.</td> <td>SHEET 1 OF 2</td> </tr> </table>		SIZE	DWG. NO.	REV	A	TTA-PB10-ASMB	C	SCALE: 1:9	WEIGHT: 65 lbs.	SHEET 1 OF 2
SIZE	DWG. NO.	REV											
A	TTA-PB10-ASMB	C											
SCALE: 1:9	WEIGHT: 65 lbs.	SHEET 1 OF 2											
Q.A.													
COMMENTS:													



		NAME	DATE	TRIC Tools, Inc.	
DRAWN		RMD	5/20/10		
CHECKED				10-3/4" Pulley Base Assembly	
ENG APPR.				SIZE DWG. NO. REV	
MFG APPR.				A TTA-PB10-ASMB C	
Q.A.				SCALE: 1:9 WEIGHT: 65 lbs. SHEET 2 OF 2	
COMMENTS:					