

**NOTE:**

FASTEN ALL BOLTS WITH MOLYBDENUM-BASED ANTI-SEIZE GRASE (#TT-ACCR-ASG)

ITEM NO.	PART NUMBER	DESCRIPTION	QTY.
1	TT-PB12-FRNT	12" Pulley Base - Front Plate	1
2	TT-PB12-PLLY	12" Pulley Base - Pulley (Large Shaft)	1
3	TT-PB12-SHFT	12" Pulley Base - Shaft (Large)	1
4	TT-PB12-BRNG	12" Pulley Base - Shaft Bearing (Large)	1
5	TT-PB12-SIDE	12" Pulley Base - Side Plate	2
6	TT-PB12-TOPP	12" Pulley Base - Top Plate	1
7	TT-PB00-LSA	Locking Steel Annulus	1
8	TT-PB00-PINA	Ball Lock Pin	2
9	TT-PB12-NUT	12" Pulley Base - Nuts	2
10	TT-FSNR-DA1750C	12" Pulley Front Plate Screw	14
11	TT-FSNR-DA4000C	Annulus Bolt	3
12	TT-FSNR-DA1750C	12" Pulley Top Plate Bolt	4
13	TT-FSNR-DA1000S	3/8-16 Set Screw	8
14	TT-HFIT-ZERK	Zerk Grease Fitting	1

UNLESS OTHERWISE SPECIFIED:

DIMENSIONS ARE IN INCHES  
TOLERANCES:  
TWO PLACE DECIMAL ±.01  
THREE PLACE DECIMAL ±.005

**PROPRIETARY AND CONFIDENTIAL**

THE INFORMATION CONTAINED IN THIS DRAWING IS THE SOLE PROPERTY OF TRIC TOOLS. ANY REPRODUCTION IN PART OR AS A WHOLE WITHOUT THE WRITTEN PERMISSION OF TRIC TOOLS IS PROHIBITED.

NAME	DATE
RMD	6/2011

COMMENTS:

**TRIC Tools, Inc.**

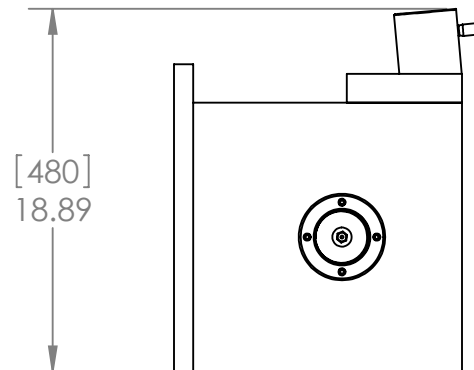
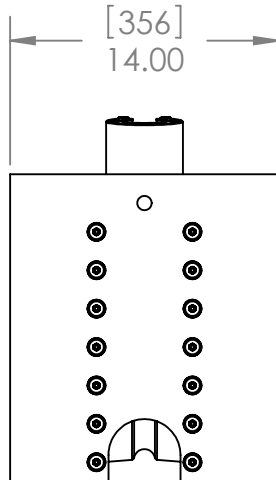
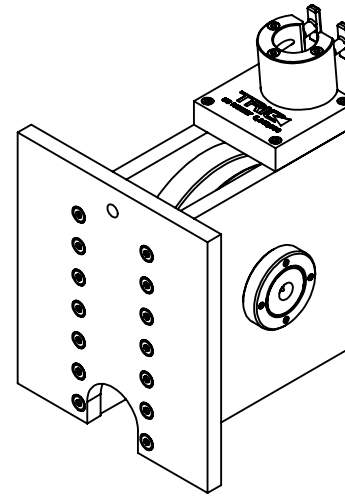
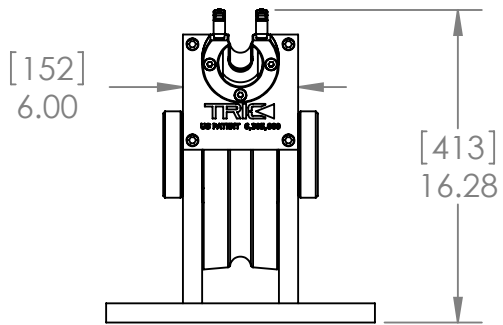
TITLE:

**12" Pulley Base**

SIZE <b>A</b>	DWG. NO. TTA-PB12-ASMB	REV <b>D</b>
------------------	---------------------------	-----------------

SCALE: 1:8

SHEET 1 OF 2



UNLESS OTHERWISE SPECIFIED:  DIMENSIONS ARE IN INCHES TOLERANCES: TWO PLACE DECIMAL ±.01 THREE PLACE DECIMAL ±.005  <b>PROPRIETARY AND CONFIDENTIAL</b>  THE INFORMATION CONTAINED IN THIS DRAWING IS THE SOLE PROPERTY OF TRIC TOOLS. ANY REPRODUCTION IN PART OR AS A WHOLE WITHOUT THE WRITTEN PERMISSION OF TRIC TOOLS IS PROHIBITED.	NAME	DATE	<b>TRIC Tools, Inc.</b>	
	DRAWN	RMD		
	COMMENTS:		TITLE:	
			<b>12" Pulley Base</b>	
	SIZE	DWG. NO.	REV	
<b>A</b>	TTA-PB12-ASMB	<b>D</b>		
SCALE: 1:10		SHEET 2 OF 2		