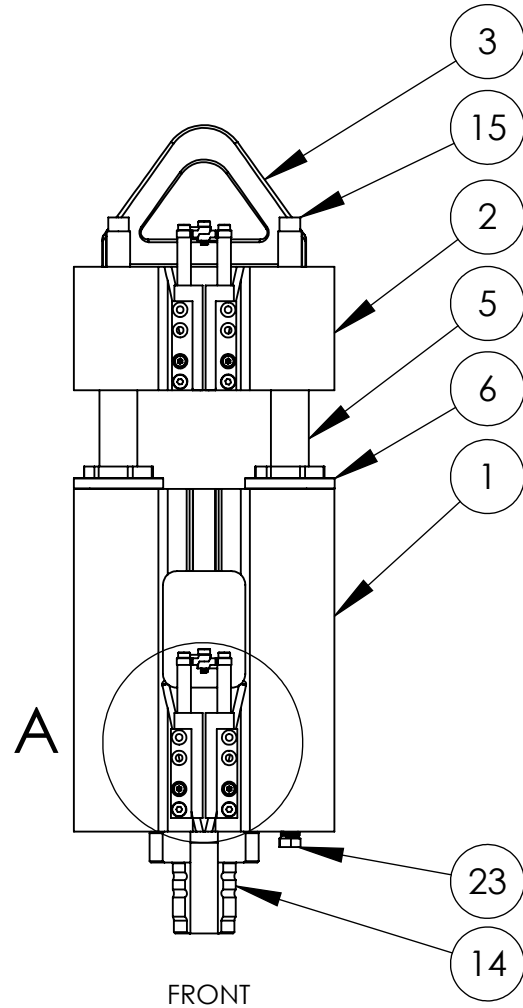
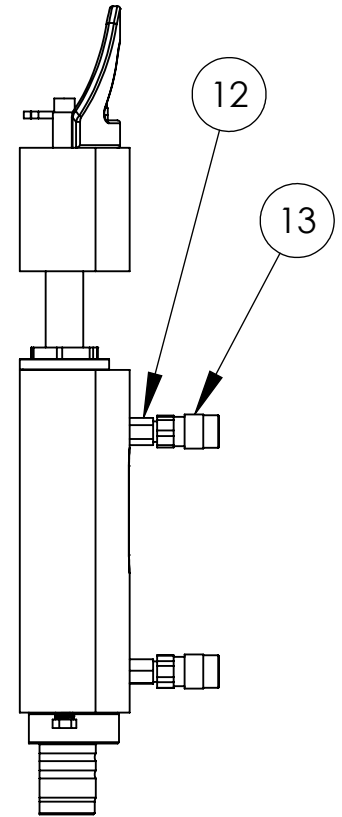


DETAIL A



FRONT



LEFT SIDE

ITEM NO.	PART NUMBER	DESCRIPTION	QTY.
1	TT-BRDG-30UR	HPLS-30 Retaining Bridge	1
2	TT-BRDG-30UP	HPLS-30 Pulling Bridge	1
3	TT-HAND-TRIM	Handle - Medium	1
4	TT-PSTN-3025	HPLS-30 Piston	2
5	TT-SHFT-30	HPLS-30 Shaft	2
6	TT-GLND-30	HPLS-30 Shaft Gland	2
7	TT-GRPR-34ML	3/4" Monolithic Gripper (Long)	2
8	TT-GRPR-YARML	Yoke Arm (Left)	2
9	TT-GRPR-YARMR	Yoke Arm (Right)	2
10	TT-GRPR-YTOW	Yoke Tower	4
11	TT-GCPS-INTP	Gripper Cover Plates - Interchangeable	4
12	TT-HFIT-SAE0	SAE-ORB Reducer (8-3/8 F50G)	2
13	TT-HFIT-PHPF	Parker HP Female	2
14	TT-NOSE-FBNA	Four Bolt Nose - Aluminum	1
15	TT-FSNR-FB5500C	X30, M50 Handle Bolt	2
16	TT-FSNR-BA313H	Shoulder Screw	10
17	TT-FSNR-BA750F	Cover Plate Screw	4
18	TT-FSNR-EB1250C	Nose Bolt	4
19	TT-SEAL-30PS	HPLS-30 Piston Seal (2.5")	2
20	TT-SEAL-30SG	HPLS-30 Gland Seal	2
21	TT-SEAL-30SS	HPLS-30 Shaft Seal	2
22	TT-SEAL-30SW	HPLS-30 Shaft Wiper	2
23	TT-PBOC-7500	Blow-Out Plug	1

5

4

UNLESS OTHERWISE SPECIFIED:

DIMENSIONS ARE IN INCHES  
TOLERANCES:  
TWO PLACE DECIMAL ±.01  
THREE PLACE DECIMAL ±.005

PROPRIETARY AND CONFIDENTIAL

THE INFORMATION CONTAINED IN THIS DRAWING IS THE SOLE PROPERTY OF TRIC TOOLS. ANY REPRODUCTION IN PART OR AS A WHOLE WITHOUT THE WRITTEN PERMISSION OF TRIC TOOLS IS PROHIBITED.

DRAWN	NAME	DATE
	RMD	5/2010

COMMENTS:  
  
NOT SHOWN:  
Items 4, 18, 19, 20, 21 and 22

TRIC Tools, Inc.

TITLE:

**X30**

SIZE	DWG. NO.	REV
<b>A</b>	<b>TTP-HPLS-30</b>	<b>E</b>

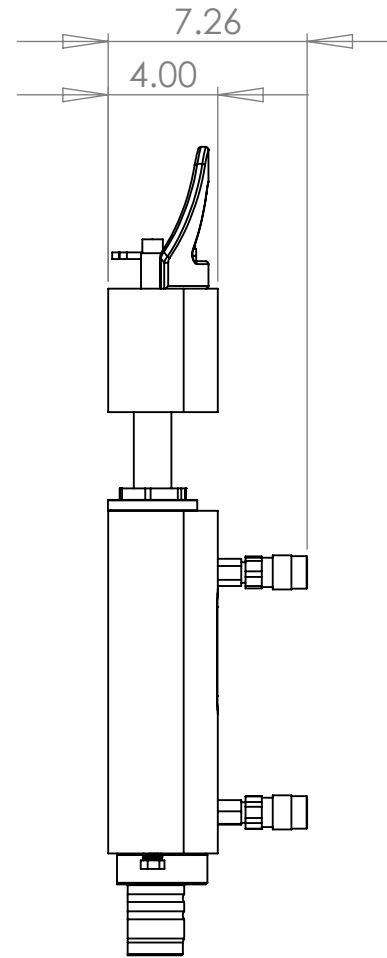
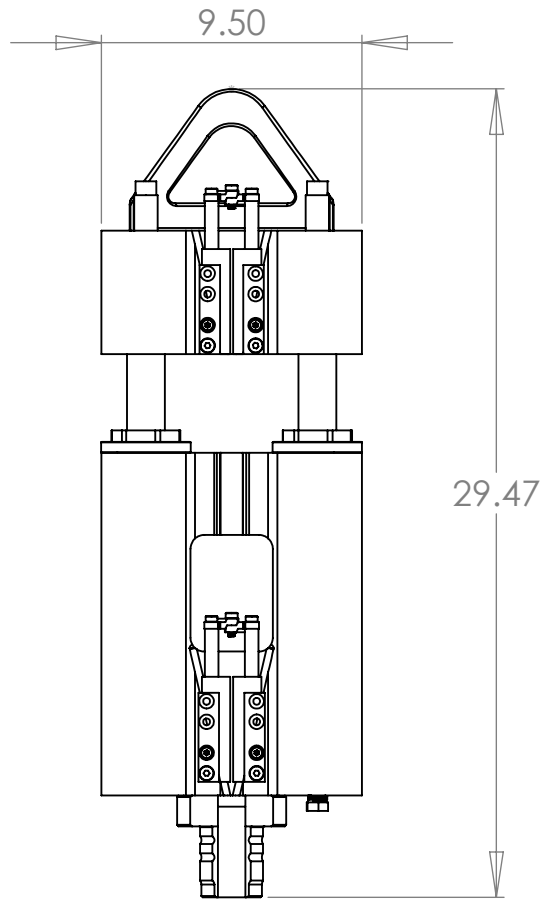
NOT TO SCALE

SHEET 1 OF 3

3

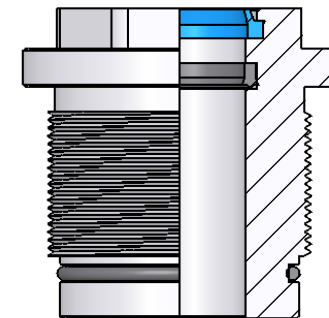
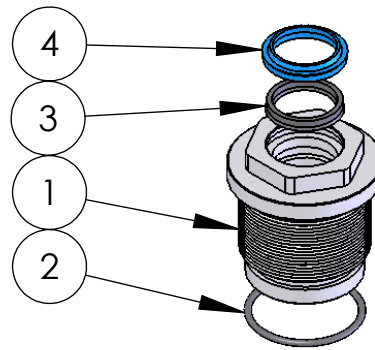
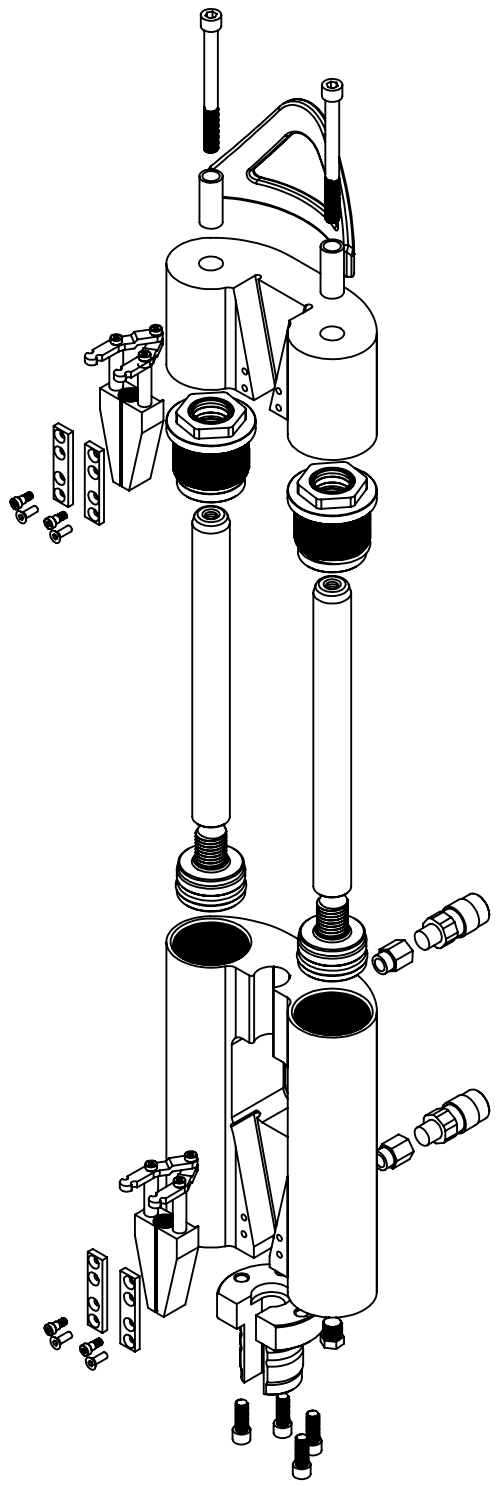
2

1

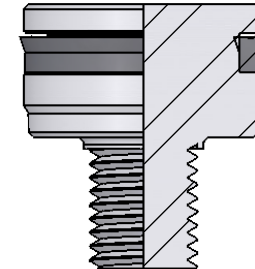
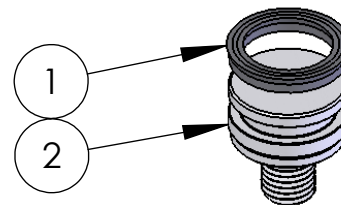


SHIP WEIGHT: 85 LBS.

UNLESS OTHERWISE SPECIFIED:  DIMENSIONS ARE IN INCHES TOLERANCES: TWO PLACE DECIMAL ±.01 THREE PLACE DECIMAL ±.005  <b>PROPRIETARY AND CONFIDENTIAL</b>  THE INFORMATION CONTAINED IN THIS DRAWING IS THE SOLE PROPERTY OF TRIC TOOLS. ANY REPRODUCTION IN PART OR AS A WHOLE WITHOUT THE WRITTEN PERMISSION OF TRIC TOOLS IS PROHIBITED.	NAME	DATE	<b>TRIC Tools, Inc.</b>	
	DRAWN	RMD		
	COMMENTS:		TITLE:  <b>X30</b>	
	SIZE	DWG. NO.	REV	
	<b>A</b>	<b>TTP-HPLS-30</b>	<b>E</b>	
SCALE: 1:7			SHEET 3 OF 3	



ITEM NO.	PART NUMBER	DESCRIPTION	QTY.
1	TT-GLND-30	HPLS-30 Shaft Gland	1
2	TT-SEAL-30SG	HPLS-30 Gland Seal	1
3	TT-SEAL-30SS	HPLS-30 Shaft Seal	1
4	TT-SEAL-30SW	HPLS-30 Shaft Wiper	1



ITEM NO.	PART NUMBER	DESCRIPTION	QTY.
1	TT-SEAL-30PS	HPLS-30 Piston Seal (2.5")	1
2	TT-PSTN-3025	HPLS-30 Piston	1

UNLESS OTHERWISE SPECIFIED:  DIMENSIONS ARE IN INCHES TOLERANCES: TWO PLACE DECIMAL ±.01 THREE PLACE DECIMAL ±.005  <b>PROPRIETARY AND CONFIDENTIAL</b>  THE INFORMATION CONTAINED IN THIS DRAWING IS THE SOLE PROPERTY OF TRIC TOOLS. ANY REPRODUCTION IN PART OR AS A WHOLE WITHOUT THE WRITTEN PERMISSION OF TRIC TOOLS IS PROHIBITED.	NAME	DATE	<b>TRIC Tools, Inc.</b>	
	DRAWN	RMD		
	COMMENTS:	TITLE:  <b>X30</b>		
	SIZE DWG. NO.		REV	
	<b>A TTP-HPLS-30</b>		<b>E</b>	
SCALE: 1:8		SHEET 2 OF 3		