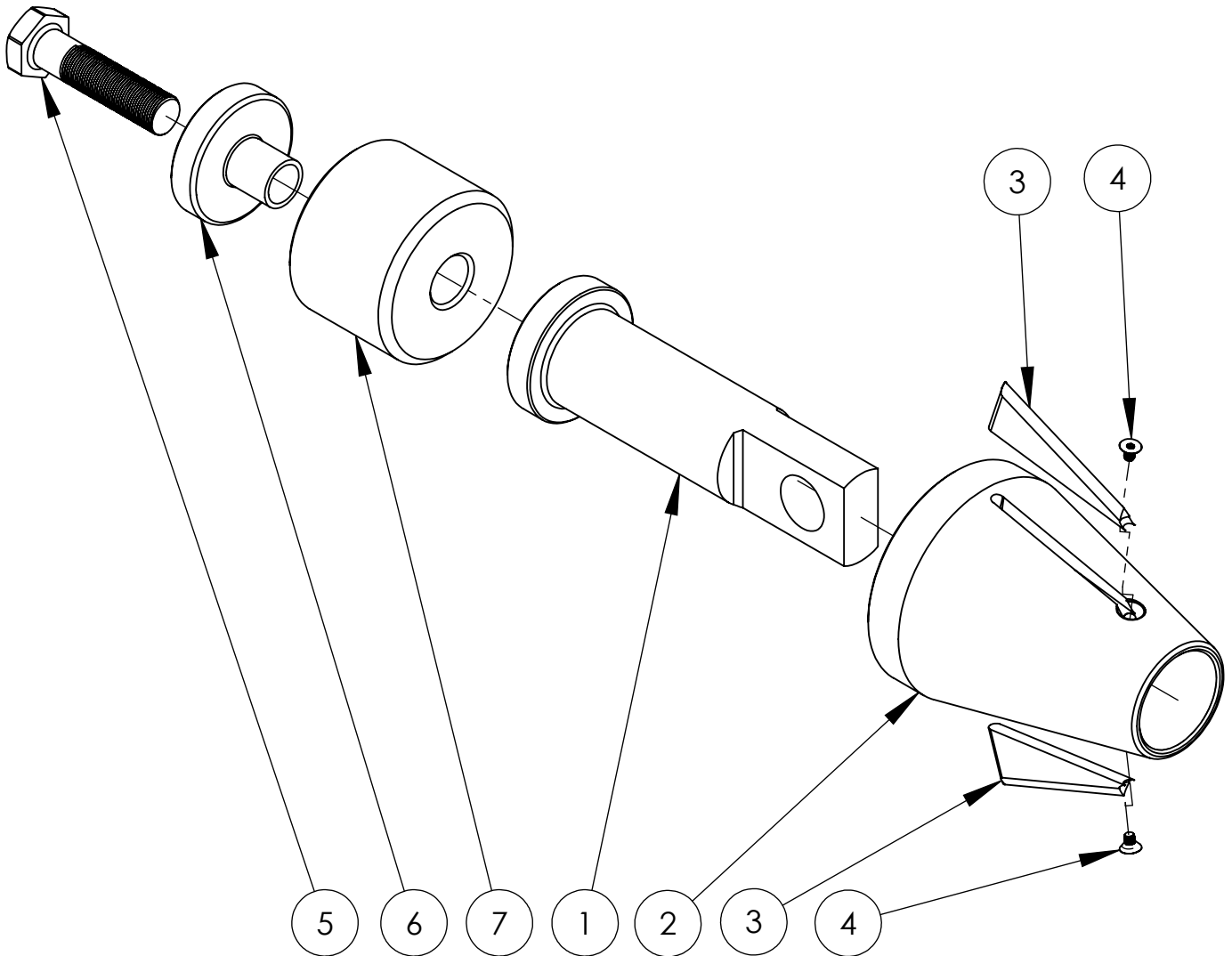


ITEM NO.	PART NUMBER	DESCRIPTION	QTY.
1	TT-HEAD-4COR	4" Core (Closed Socket)	1
2	TT-HEAD-4MOL	4" Standard Head	1
3	TT-HEAD-4BLD	4" Blade	2
4	TT-FSNR-BA375F	1/4-20x3/8 Socket Head Flat Screw	2
5	TT-FSNR-KC4000X	1-14x4.00" Hex Bolt	1
6	TT-HEAD-4CWA	4" Core Washer	1
7	TT-HEAD-4PEC	4-Inch PE Cap	1



TRIC Tools, Inc.

4" Head Assembly

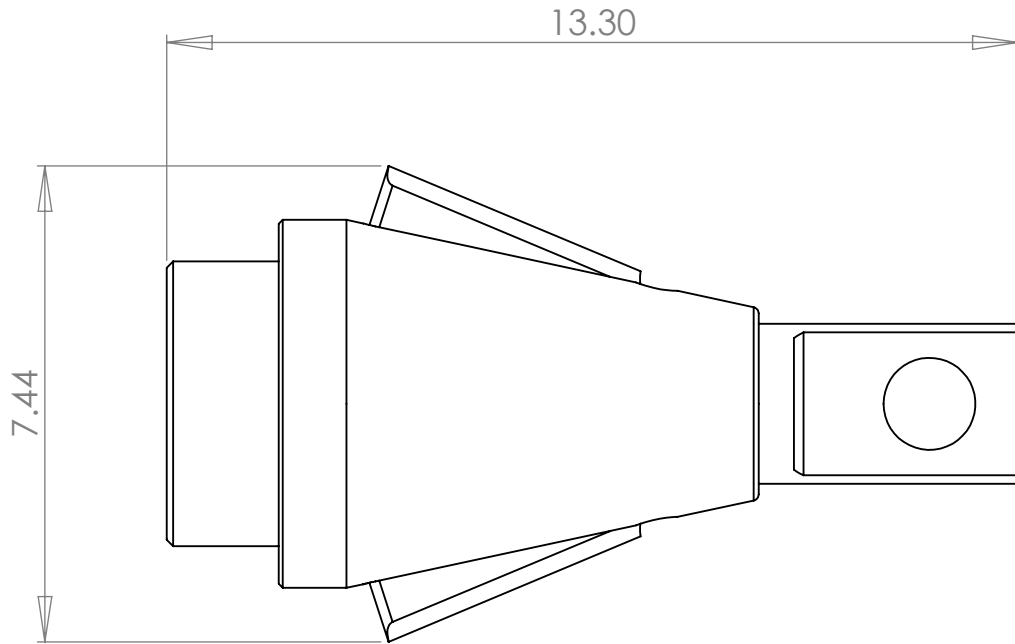
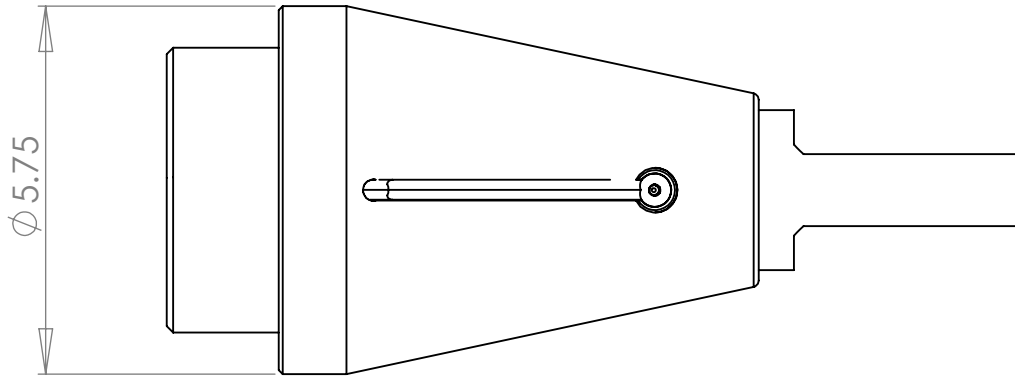
PROPRIETARY AND CONFIDENTIAL

THE INFORMATION CONTAINED IN THIS DRAWING IS THE SOLE PROPERTY OF TRIC TOOLS. ANY REPRODUCTION IN PART OR AS A WHOLE WITHOUT THE WRITTEN PERMISSION OF TRIC TOOLS IS PROHIBITED.

	NAME	DATE
DRAWN	RMD	2010

COMMENTS:

SIZE A	DWG. NO. TTA-HEAD-4ASM	REV. D
SCALE: 1:4	WEIGHT: 34 lbs.	SHEET 1 OF 3



TRIC Tools, Inc.

4" Head Assembly

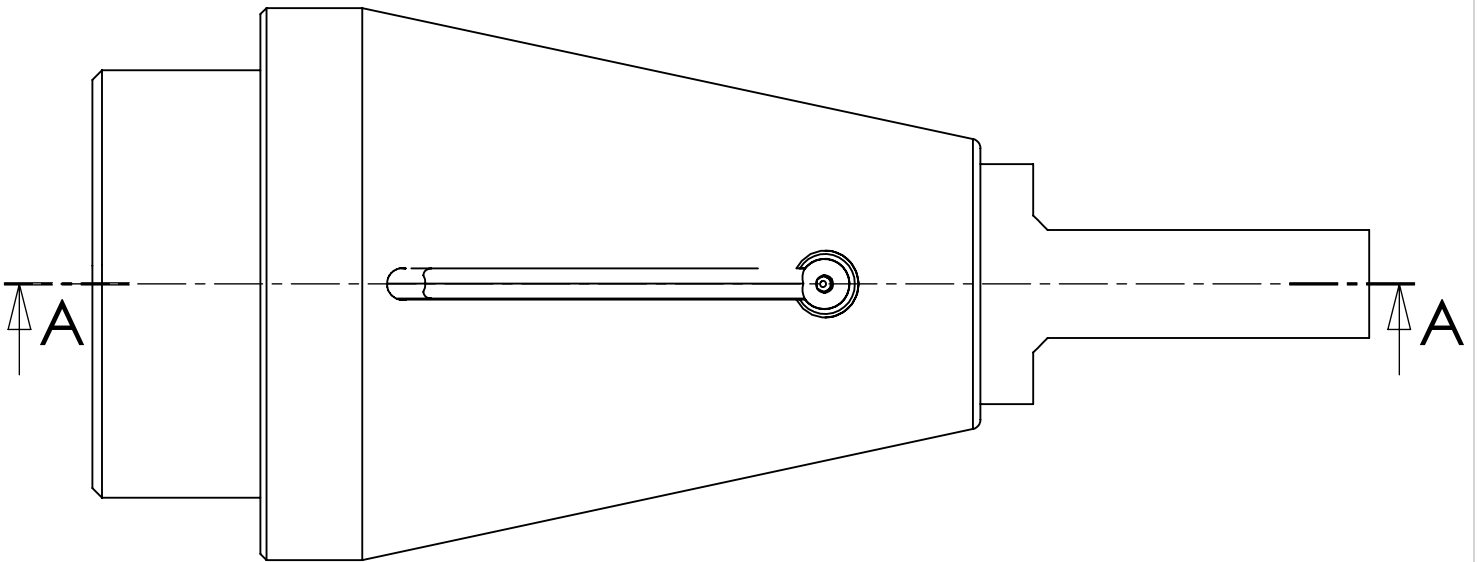
PROPRIETARY AND CONFIDENTIAL

THE INFORMATION CONTAINED IN THIS DRAWING IS THE SOLE PROPERTY OF TRIC TOOLS. ANY REPRODUCTION IN PART OR AS A WHOLE WITHOUT THE WRITTEN PERMISSION OF TRIC TOOLS IS PROHIBITED.

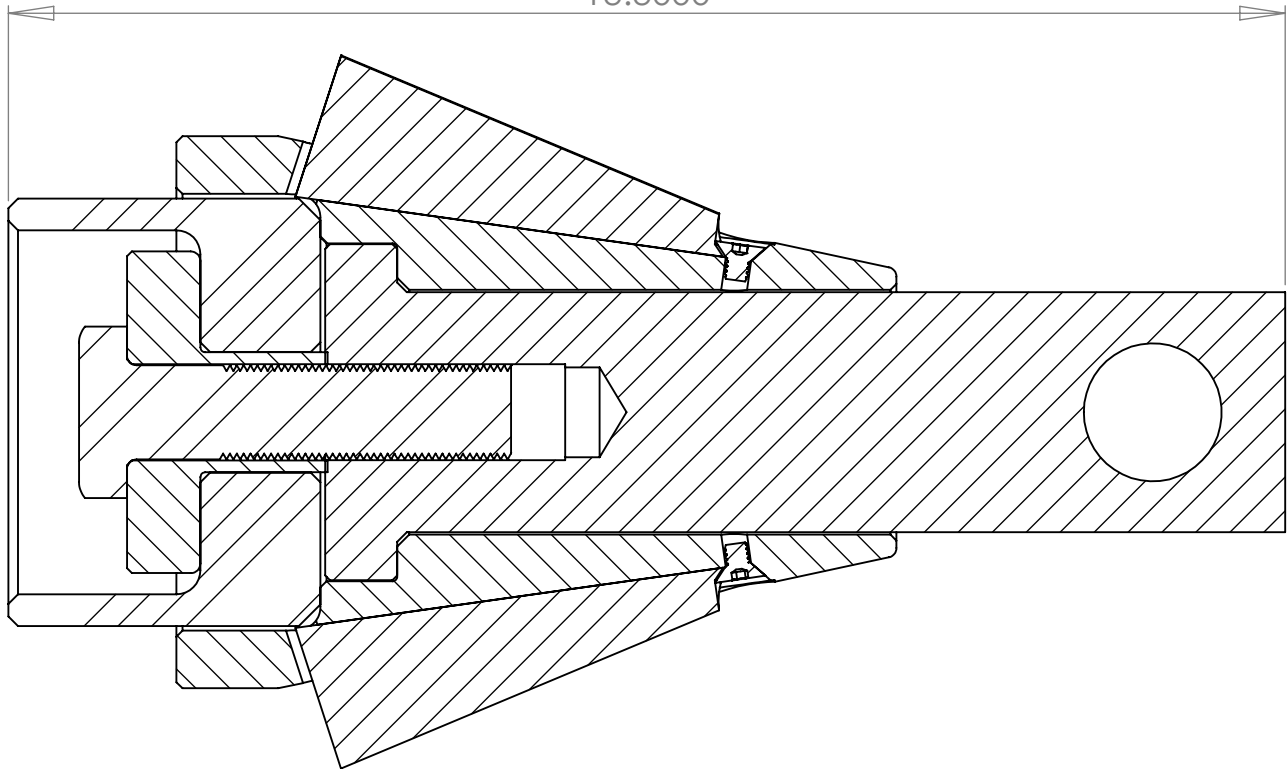
	NAME	DATE
DRAWN	RMD	2010

COMMENTS:

SIZE A	DWG. NO. TTA-HEAD-4ASM	REV. D
SCALE: 1:3	WEIGHT: 34 lbs.	SHEET 2 OF 3



13.3000



SECTION A-A

TRIC Tools, Inc.

4" Head Assembly

PROPRIETARY AND CONFIDENTIAL

THE INFORMATION CONTAINED IN THIS DRAWING IS THE SOLE PROPERTY OF TRIC TOOLS. ANY REPRODUCTION IN PART OR AS A WHOLE WITHOUT THE WRITTEN PERMISSION OF TRIC TOOLS IS PROHIBITED.

	NAME	DATE
DRAWN	RMD	2010

COMMENTS:

SIZE A	DWG. NO. TTA-HEAD-4ASM	REV. D
SCALE: 1:2	WEIGHT: 34 lbs.	SHEET 3 OF 3