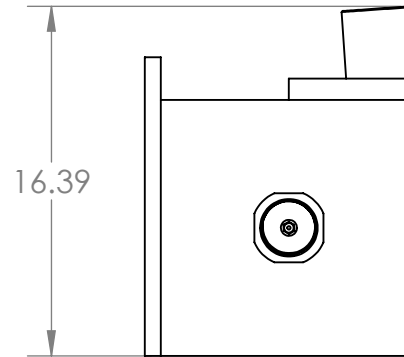
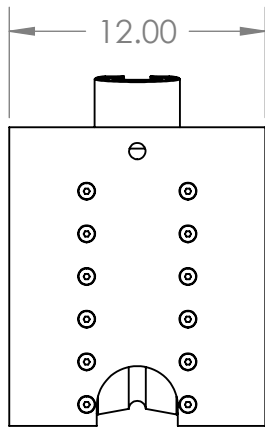
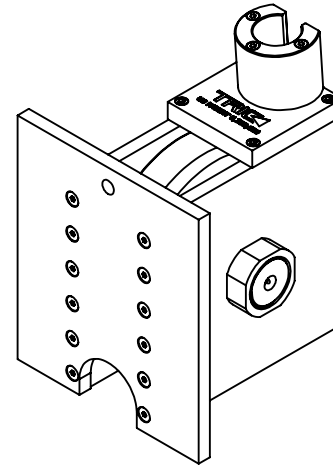
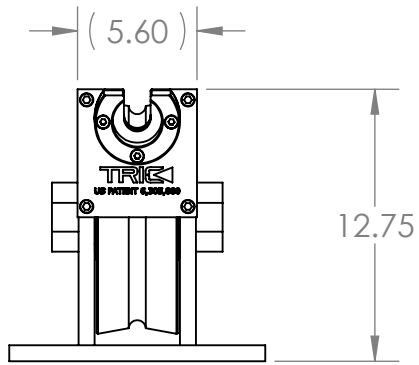


**NOTE:**

FASTEN ALL BOLTS WITH MOLYBDENUM-BASED ANTI-SEIZE GREASE (#TT-ACCR-ASG)

ITEM NO.	PART NUMBER	DESCRIPTION	QTY.
1	TT-PB10-FRNT	10" Pulley Base Front Plate	1
2	TT-PB10-PLLY	10" Pulley Base Pulley Wheel	1
3	TT-PB10-BRNG	10" Pulley Base Bearing	1
4	TT-PB10-SIDE	10" Pulley Base Side Plate	2
5	TT-PB10-SHFT	10" Pulley Base Shaft	1
6	TT-PB10-NUT	10" Pulley Base Nut	2
7	TT-PB10-TOPP	10" Pulley Base Top Plate	1
8	TT-PB00-NULA	Aluminum Annulus	1
9	TT-FSNR-DA1500F	10" Pulley Front Plate Screw	12
10	TT-FSNR-DA1500C	10" Pulley Top Plate Bolt	4
11	TT-FSNR-DA4000C	Annulus Bolt	3
12	TT-HFIT-ZERK	Zerk Grease Fitting	1

	NAME	DATE	<b>TRIC Tools, Inc.</b>		
DRAWN	RMD	7/29/11			
CHECKED			TITLE:		
ENG APPR.			<b>10" Pulley Base</b>		
MFG APPR.					
Q.A.					
COMMENTS:			SIZE	DWG. NO.	REV
			<b>A</b>	<b>TTA-PB10-ASMB</b>	<b>D</b>
	SCALE: 1:7	WEIGHT: 85 lb	SHEET 1 OF 2		



	NAME	DATE	TRIC Tools, Inc.		
DRAWN	RMD	7/29/11	TITLE:		
CHECKED			10" Pulley Base		
ENG APPR.			SIZE	DWG. NO.	REV
MFG APPR.			<b>A</b>	TTA-PB10-ASMB	<b>D</b>
Q.A.			SCALE: 1:9	WEIGHT: 85 lb	SHEET 2 OF 2
COMMENTS:					