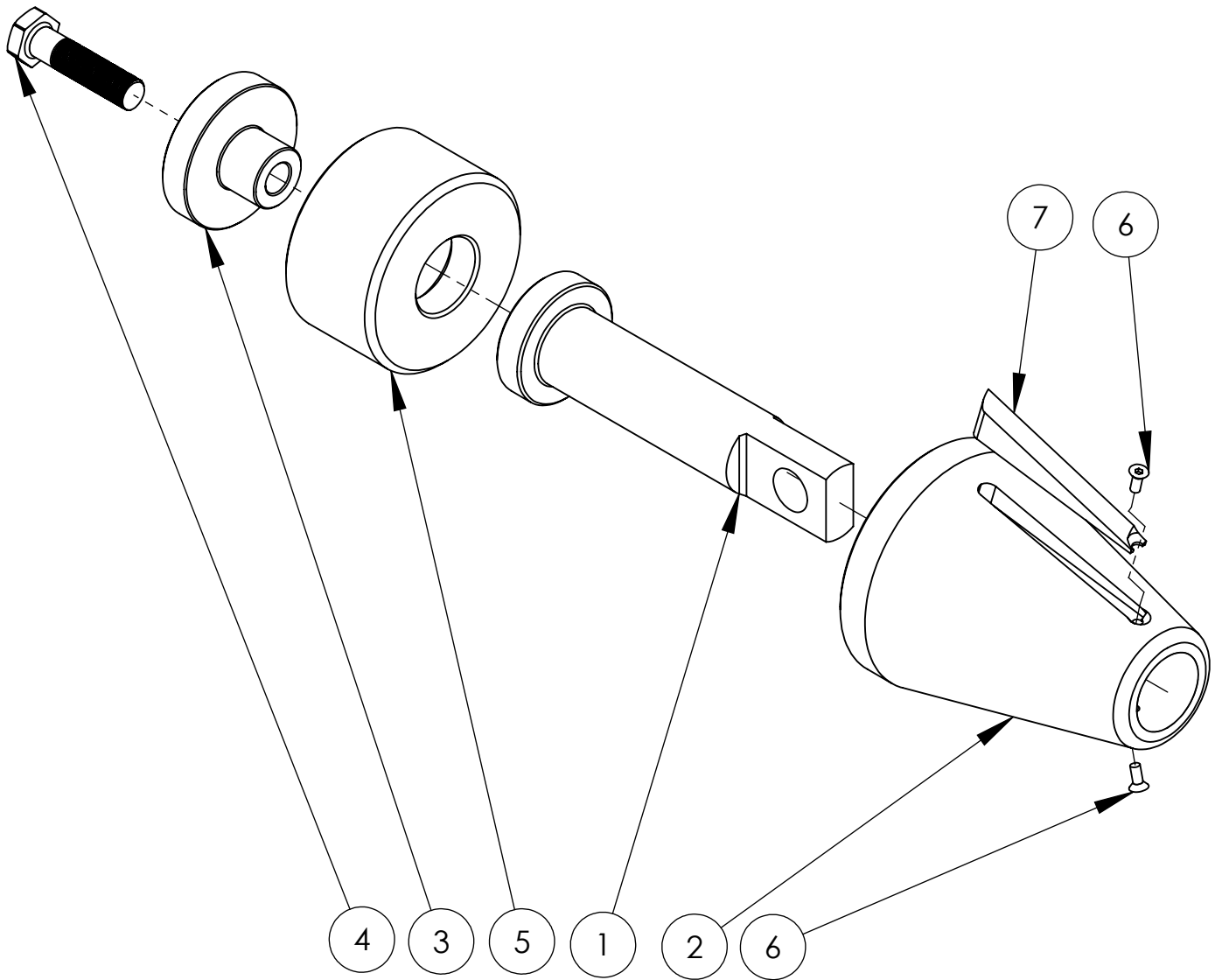


ITEM NO.	PART NUMBER	DESCRIPTION	QTY.
1	TT-HEAD-6COR	6" Pulling Core	1
2	TT-HEAD-6MOL	6" Mole (Shell)	1
3	TT-HEAD-6CWA	6" Core Washer	1
4	TT-FSNR-KC4000X	1-14x4.00" Hex Bolt	1
5	TT-HEAD-6PEC	6-Inch PE Cap	1
6	TT-FSNR-DA750F	6"/8" Blade Screw	2
7	TT-HEAD-6BLDW	6" Blade - 5/8" Wide	1



TRIC Tools, Inc.

## 6" Head Assembly

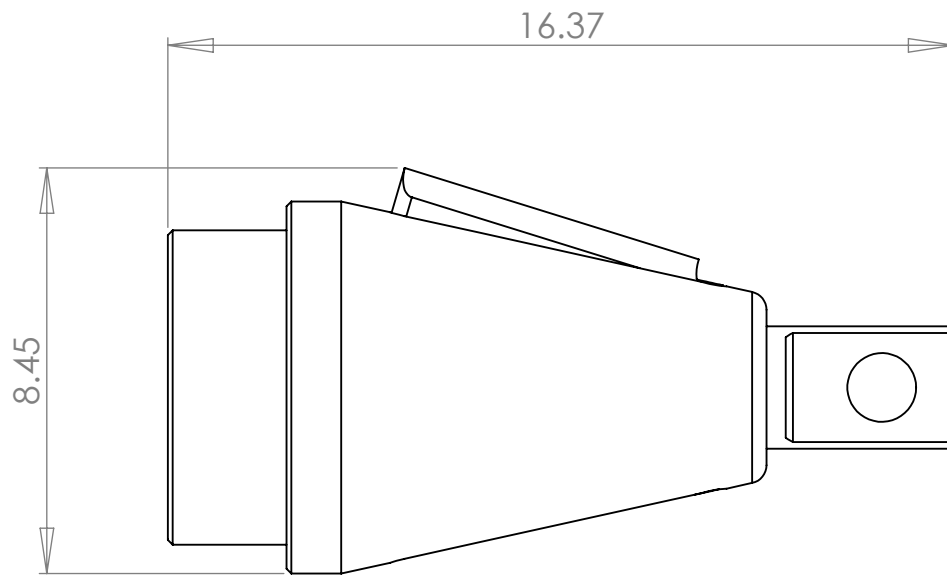
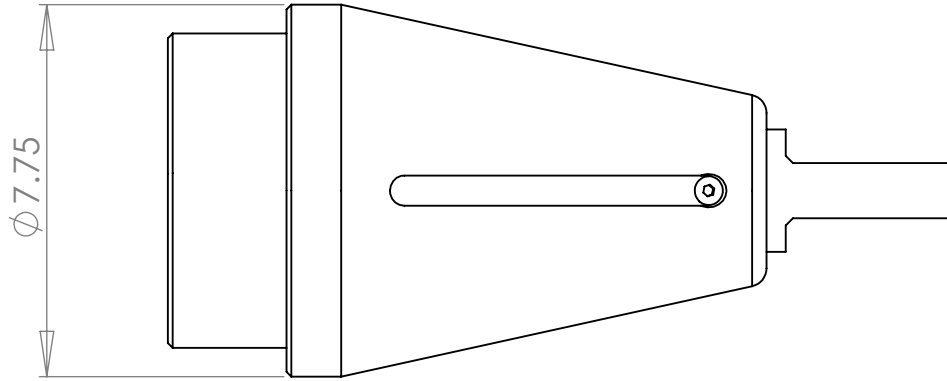
**PROPRIETARY AND CONFIDENTIAL**

THE INFORMATION CONTAINED IN THIS DRAWING IS THE SOLE PROPERTY OF TRIC TOOLS. ANY REPRODUCTION IN PART OR AS A WHOLE WITHOUT THE WRITTEN PERMISSION OF TRIC TOOLS IS PROHIBITED.

	NAME	DATE
DRAWN	RMD	2010

COMMENTS:

SIZE <b>A</b>	DWG. NO. TTA-HEAD-6ASM	REV. <b>B</b>
SCALE: 1:5	WEIGHT: 77 lbs.	SHEET 1 OF 2



TRIC Tools, Inc.

# 6" HEAD ASSEMBLY

**PROPRIETARY AND CONFIDENTIAL**

THE INFORMATION CONTAINED IN THIS DRAWING IS THE SOLE PROPERTY OF TRIC TOOLS. ANY REPRODUCTION IN PART OR AS A WHOLE WITHOUT THE WRITTEN PERMISSION OF TRIC TOOLS IS PROHIBITED.

	NAME	DATE
DRAWN	RMD	2010

COMMENTS:

SIZE <b>A</b>	DWG. NO. TTA-HEAD-6ASM	REV. <b>B</b>
SCALE: 1:4	WEIGHT: 77 lbs.	SHEET 2 OF 2